



WIND TURBINE TECHNOLOGY REPAIR SOLUTIONS

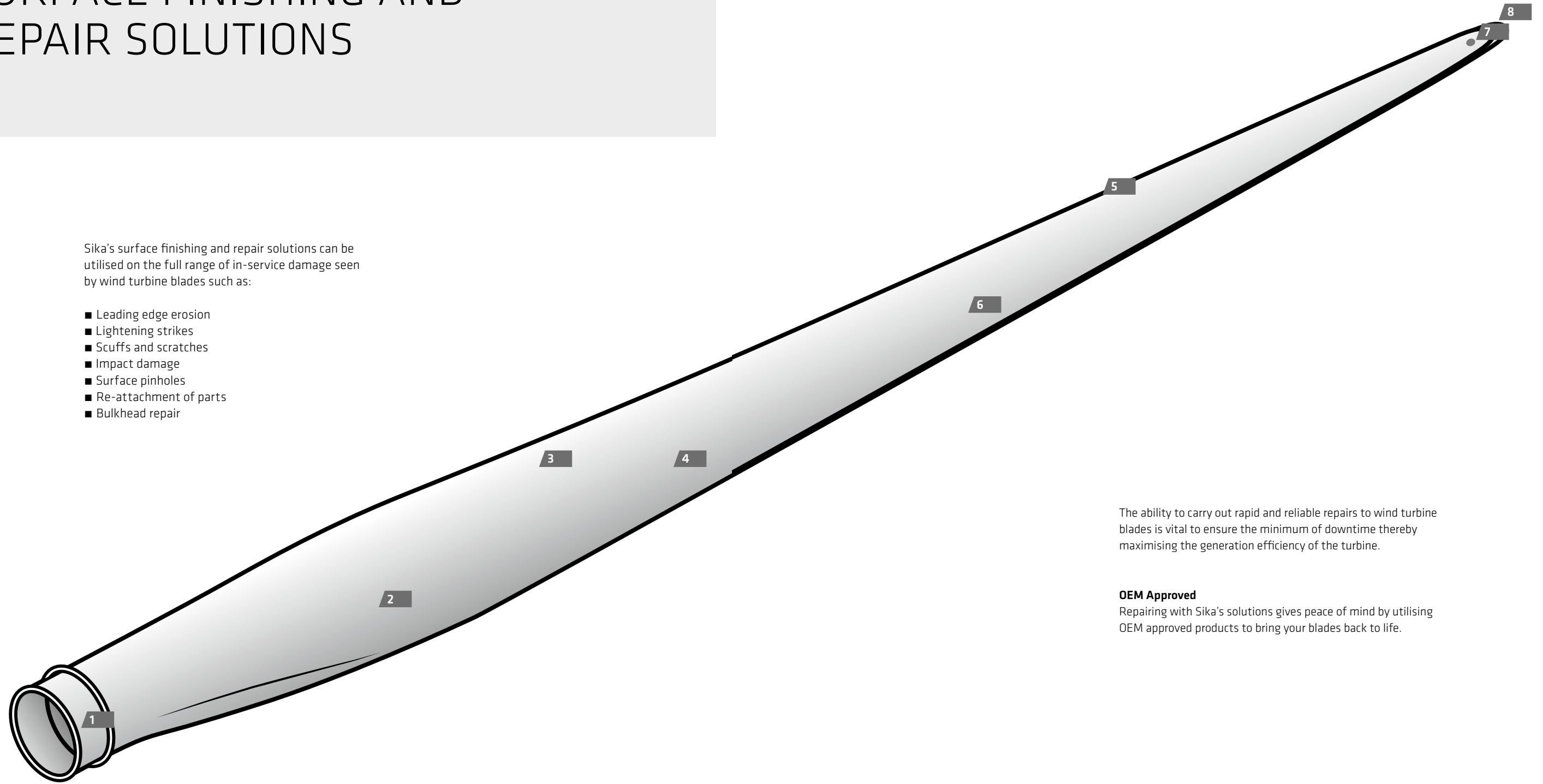
BUILDING TRUST



SURFACE FINISHING AND REPAIR SOLUTIONS

Sika's surface finishing and repair solutions can be utilised on the full range of in-service damage seen by wind turbine blades such as:

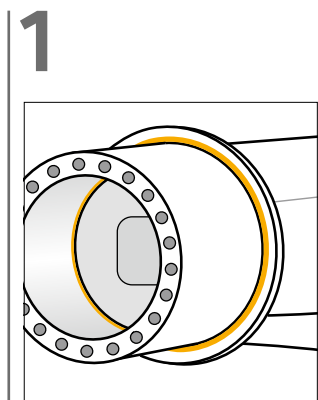
- Leading edge erosion
- Lightning strikes
- Scuffs and scratches
- Impact damage
- Surface pinholes
- Re-attachment of parts
- Bulkhead repair



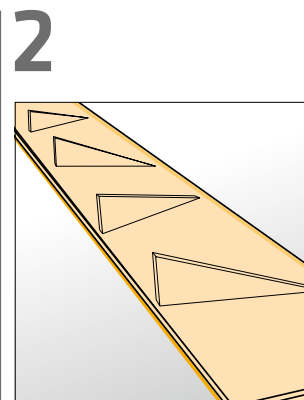
The ability to carry out rapid and reliable repairs to wind turbine blades is vital to ensure the minimum of downtime thereby maximising the generation efficiency of the turbine.

OEM Approved

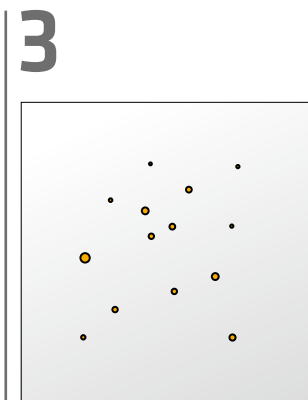
Repairing with Sika's solutions gives peace of mind by utilising OEM approved products to bring your blades back to life.



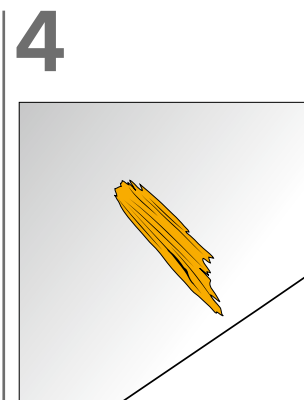
1 Sealing applications



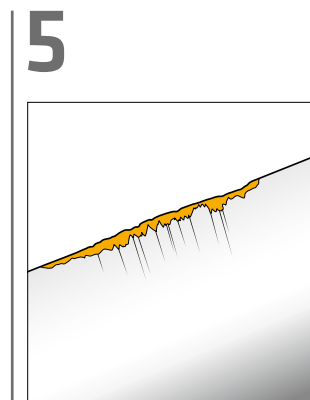
2 Re-attachment of parts



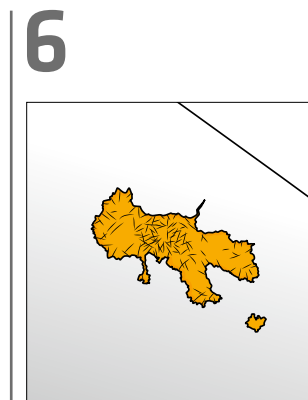
3 Pinholes



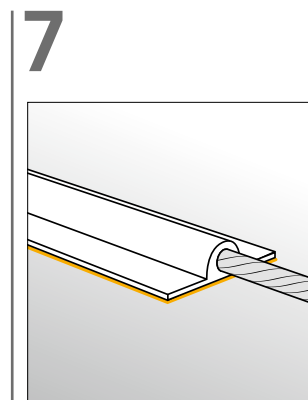
4 Superficial scratches



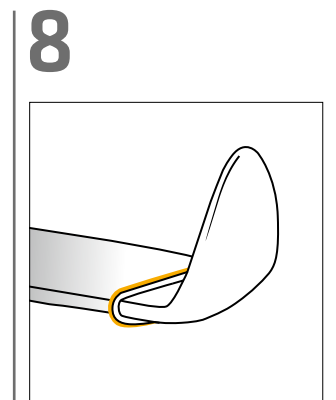
5 Leading edge erosion



6 Lightning strike and other structural damages



7 Lightning protection



8 Retrofitted winglets

SURFACE FINISHING AND REPAIR

Product	Type	Cartridge	MixPax (0.3 kg)	MixCan (1.45 kg)	Can (1 kg)	Can (5 kg)	Approved
SikaForce®-7800 Blue	2C PUR surface filler	●					OEM Approved
	2C PUR hardener						
SikaForce®-7800 Red	2C PUR surface filler	●					OEM Approved
	2C PUR hardener						
SikaForce®-7818 L7	2C PUR adhesive	●		●			OEM Approved
SikaForce®-7050	2C PUR hardener				●		
SikaForce®-7812 L7 MR	2C PUR moisture resistant surface filler		●			●	OEM Approved
SikaForce®-7010	2C PUR hardener					●	
Sikadur® Blade Repair Kit-30	2C Epoxy laminating resin		●				GL Approved
	2C Epoxy laminating hardener						
Sikadur® Blade Repair Kit-90	2C Epoxy laminating resin		●				GL Approved
	2C Epoxy laminating hardener						

SEALING AND BONDING

Product	Type	Packaging	Color	Approved
Sikaflex®-521 UV	UV-resistant PUR-Hybrid sealant	12 x 300 ml cartridge	White, Gray, Black	OEM Approved
Sikaflex®-553 2K	2C weather resistant PUR-Hybrid sealant /adhesive	8 x 490 ml cartridge	White	OEM Approved
Sikaflex®-515	Weather resistant PUR-Hybrid sealant	12 x 300 ml cartridge	White, Gray, Black	OEM Approved
Sikaflex®-221	Universal PUR sealant / adhesive	12 x 300 ml cartridge	White, Gray, Black	OEM Approved
Sikasil® WS-605 S	High performance silicone weatherproof sealant	12 x 300 ml cartridge	White, Gray, Black, Transparent	OEM Approved

AUXILIARY PRODUCTS

Product	Type	Packaging
Sika® Cleaner P	Surface cleaner	1 l and 5 l can
Sika® Tooling Agent N	Finishing liquid	1 l and 5 l can
Sika® Handclean	Cleaning towels	Re-sealable bucket
Sika® Aktivator-205	Surface pretreatment	250 ml, 1 l and 5 l cans
Sika® Remover-208	Cleaner / remover	30 ml, 250 ml and 1 l cans



PRODUCT APPLICATION

CARTRIDGE SOLUTIONS

All Sika's cartridge repair solutions have been designed for use in the same cartridge gun.

The Sika® Gun HD is a heavy duty, light weight manual caulking gun with a high gear ratio for easy one-handed application.



Key Features

Reinforced nylon, ergonomic soft grip handle

High gear ratio for easy one-handed use

Light weight (600 g) but durable, heavy duty design

Karabiner clip to secure whilst working at heights

Twistable, anti-drip cartridge holder

SikaForce®-7800

SikaForce®-7800 Red and Blue is available in convenient cartridge packaging. The co-axial format is designed to be used in a standard caulking gun.



Key Features

Color coded for early identification

Stop/go application

Fast sanding even at 5 °C

Easy to extrude, mix and apply

OEM approved package

MIXPAX SOLUTION

Sikadur® Blade Repair Kits and SikaForce®-7812 L7 MR / SikaForce®-7010 are available in an easy to use, light weight packaging. Pre-measured amounts of both components are packed in a single pouch ready to mix and go.



Key Features

Light weight packaging

Accurate mix ratio control

Simple and easy to use

Less wasted material

OEM approved package

Less packaging waste

SIKA FULL RANGE SOLUTIONS FOR CONSTRUCTION:



WATERPROOFING



CONCRETE



REFURBISHMENT



MERCHANT



SEALING AND BONDING



FLOORING



ROOFING



INDUSTRY

FOR MORE INFORMATION:



WHO WE ARE

Sika Limited and Sika Ireland Limited are part of the global Sika Group, specialising in the manufacture and supply of chemical based products for construction and industry. Sika is a world-leader in its field with subsidiaries in 90 countries around the world and manufactures in over 160 factories. With approximately 17,000 employees Sika generates annual sales of CHF 5.6 billion (£3.9bn). We are also committed to providing quality, service, safety and environmental care.

In the UK and Ireland, we provide market-leading solutions for concrete, waterproofing, roofing, flooring, refurbishment, sealing & bonding, and industry, and have manufacturing sites in Welwyn Garden City, Preston, Leeds and Dublin with more than 700 employees and a turnover of more than £190 million.

The information, and, in particular, the recommendations relating to the application and end use of Sika® products, are given in good faith based on Sika's current knowledge and experience of the products when properly stored, handled and applied under normal conditions. In practice, the differences in materials, substrates and actual site conditions are such that no warranty in respect of merchantability or of fitness for a particular purpose, nor any liability arising out of any legal relationship whatsoever, can be inferred either from this information, or from any written recommendations, or from any other advice offered. The proprietary rights of third parties must be observed. All orders are accepted subject to our current terms of sale and delivery. Users should always refer to the most recent issue of the Product Data Sheet for the product concerned, copies of which will be supplied on request..



FM 12504



EMS 45308



OHS 585274

SIKA LIMITED

Head Office
Watchmead, Welwyn Garden City
Hertfordshire, AL7 1BQ
United Kingdom

Contact

Phone +44 1 707 394444
Fax +44 1 707 329129
E-Mail enquiries@uk.sika.com
www.sika.co.uk

SIKA IRELAND LIMITED

Sika House
Ballymun Industrial Estate
Ballymun, Dublin 11
Ireland

Contact

Phone +353 1 862 0709
Fax +353 1 862 0707
E-Mail info@ie.sika.com
www.sika.ie

BUILDING TRUST

