

Batten Profile

PVC profile to imitate a traditional Batten Rolled Lead Roof

Product Description

The Batten Profile is a PVC-P extruded profile.

Uses

Batten Profile creates an appearance of a traditional Batten Rolled Lead roof. Batten Profile can be applied to exposed Sarnafil® G 410-EL/EL Felt PVC roof systems.

Characteristics / Advantages

- Outstanding resistance to weathering, including permanent UV irradiation
- Ease of application
- Suitable for any roof slope
- Excellent weldability
- Recyclable

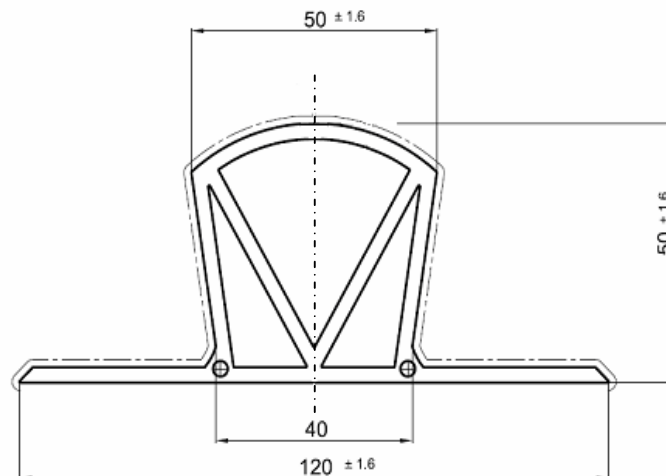
Tests

Approvals / Standards

- Reaction to fire according to EN 13501-1
- Quality management system EN ISO 9001/14001

Product Data

Form



Surface	Smooth
Colour	Lead Grey (Sika colour no. 9500)
Packaging	Delivered in transparent PE-bag with 5 pcs. 80 pcs. per pallet = 240 m

Storage

Storage Conditions Batten Profile shall be stored in dry conditions and in horizontal position.

Shelf-Life Batten Profile does not expire during correct storage.

Technical Data

Material Basis Modified polyvinyl chloride (PVC) compound, extruded

Length 3000 mm (+/- 5)
Width 120 mm (+/- 1.6)
Height 50 mm (+/-1.6)
Thickness 3 mm (+/- 0.3)

Mass per unit area 1300 g/m (+/- 10 %)

Reaction to fire, freely suspended Class E EN 13501-1

System Information

System Structure Ancillary products: Jointing piece (Art. 110644) and end piece (Art. 110643) needs to be ordered separately.
Compatible products: Sarnafil® G 410 –types

Installation / Instructions

Application Method Lay out the Batten Profile at the desired centres ensuring that the Batten Profile is temporarily weighted in place. Press down one side of the Batten Profile and hot air weld the welding wing on the opposite side to the roof membrane. Repeat welding on the opposite side. Butt-joint two or more Batten Profiles together using the 100 mm long Jointing piece. Complete the length of Batten Profile by installing the end piece and tack it to the Batten Profile with hot air.

Notes on Installation / Limits

Installation works to be carried out only by Registered Sarnafil Contractors.
Temperature limits for the installation of the Batten Profile:
Substrate temperature: -30 °C min. / +60 °C max.
Ambient temperature: -20 °C min. / +60 °C max.
Installation of some ancillary products, e.g. contact adhesives / cleaners is limited to temperatures above +5 °C. Please observe information given by Product Data Sheets.
Special measures may be compulsory for installation below +5 °C ambient temperature due to safety requirements in accordance with national regulations.

Value Base	All technical data stated in this Product Data Sheet are based on laboratory tests. Actual measured data may vary due to circumstances beyond our control.
Local Restrictions	Please note that as a result of specific local regulations the performance of this product may vary from country to country. Please consult the local Product Data Sheet for the exact description of the application fields.
Ecology, Health and Safety Information	The product does not fall within the EC-regulation of hazardous goods. As a result, a material safety data sheet following EC-Guideline 91/155 EWG is not needed to bring the product to the market, transport or use it. The product does not damage the environment when used as specified.
Protective Measures	Fresh air ventilation must be ensured, when working (welding) in closed rooms. Regulatory Safety requirements must be observed.
Transportation Class	The product is not classified as hazardous good for transport.
Disposal	The material is recyclable. Any disposal must be in accordance with regulatory guidelines.

All data in our product information are based on our current knowledge and experience. They do not release users from careful testing of the application and strict observation of the relevant processing regulations because of the wide range of possible influences during the application and use of our products. Legally valid assurances of specific characteristics or suitability for special purposes of application other than those provided in our documentation for the specific product cannot be inferred from our information. Any protective rights or existing laws and provisions must be followed by the recipient or processor of our products at their own responsibility. Moreover our general terms and conditions of sale and guarantee are valid.



Sika Ltd, Bankside 300, Peachman Way, Broadland Business Park,
Norwich, NR7 0WF.

Tel: 01603 709360 Fax: 01603 433436 Email: sarnafilroofing@uk.sika.com

Registered Office: Sika Ltd, Watchmead, Welwyn Garden City, Hertfordshire, AL7 1BQ
Registered in England: 226822



Sarnafil®