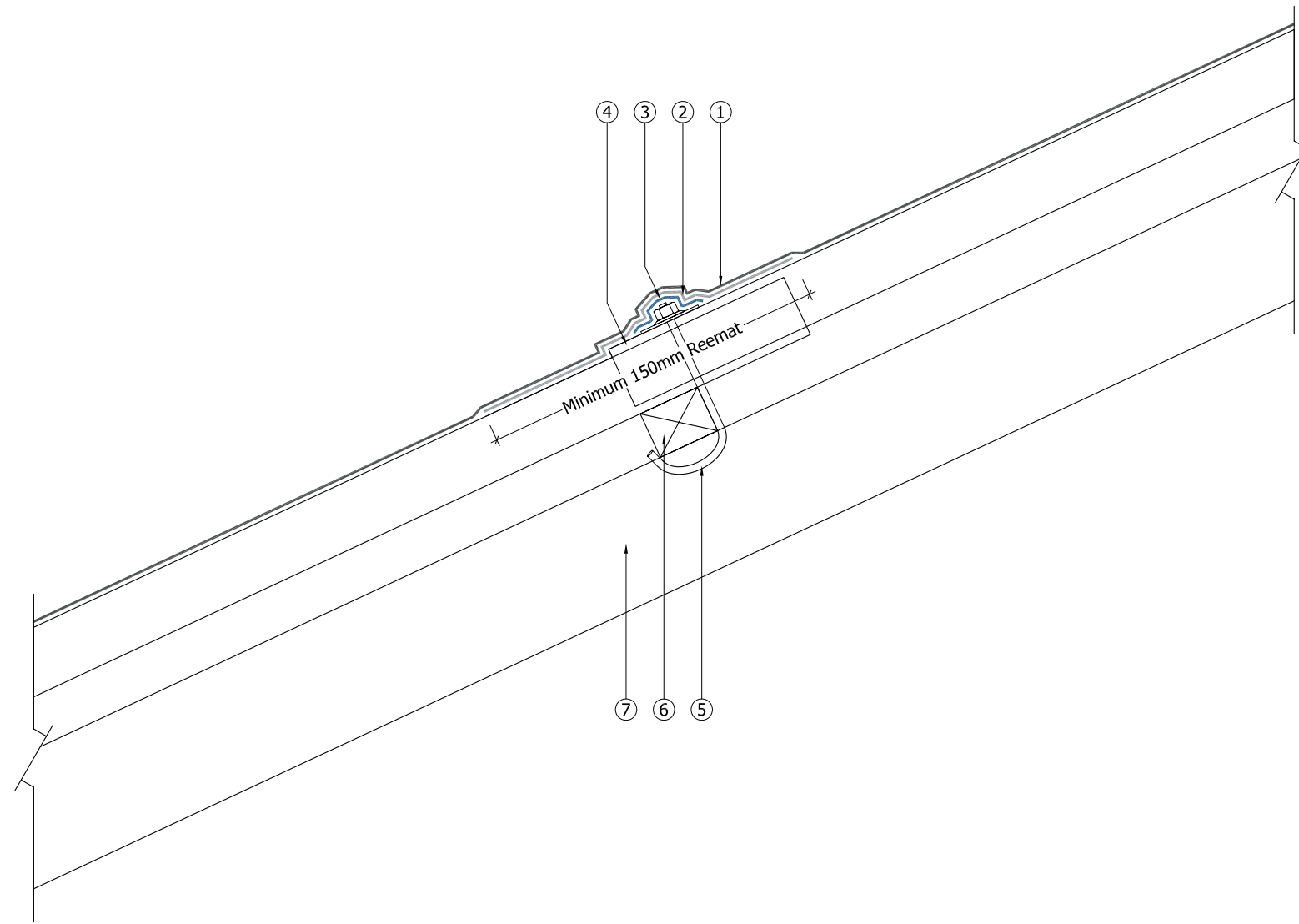


- ① ——— 2No. coats of Sikalastic 625 applied in strict accordance with Sika Liquid Plastics Project Specification
- ② ——— Stripe-coat of Sikalastic 625 Embedment Coat with Sika Reemat Premium applied to linear length of headlap
- ③ ——— Sika Flexistrip applied to bolt heads. **All** bolt heads, in particular those not encapsulated within a headlap or sidelap detail must be additionally protected with a minimum 100 x 100mm piece of Sika Reemat Premium embedded in Sikalastic 625 Embedment Coat
- ④ Existing Asbestos Cement Sheets and associated components prepared and primed in strict accordance with Sika Liquid Plastics Project Specification
NOTE: Do not traffic roof sheets without taking all necessary Health and Safety precautions and always use the correct access equipment
- ⑤ Inspect **ALL** existing fixings, replace those which are damaged, corroded or missing. Tighten fixings correctly against their gaskets. Wire brush or mechanically abrade to remove all rust/scale and return to a bright clean metal prior to applying Sika Metal Primer
- ⑥ Existing purlin
- ⑦ Existing rafter



Sika Liquid Plastics
 Sika House
 Miller Street
 Preston
 Lancashire PR1 1EA
 Telephone: 01772 259781
 Email: technical.customer.services@uk.sika.com
 www.liquidplastics.co.uk

This drawing is solely intended to illustrate the correct application of Sika Liquid Plastics products and systems. It must be read in conjunction with the appropriate specification and current issue of relevant Product Data Sheets. All elements bearing reference to structural and/or thermal design are shown indicatively and should not be used in whole or in part for any aspect of project design without consulting the relevant authorities.

For refurbishment projects, all aspects of the existing roof are deemed to be fully compliant with BS 6229:2003 (Code of Practice for Flat Roofs with Continuously Supported Coverings) or improved upon for instances where these standards are not met.

Site-specific details not covered by our standard range can be obtained by providing relevant information to the email address shown.

Project No	
DWG No	Revision
Project:	
Drawing Title: Waterproofing Application to an AC sheet roof headlap detail	
Scale: NTS @ A3	Drawn:
Date:	

