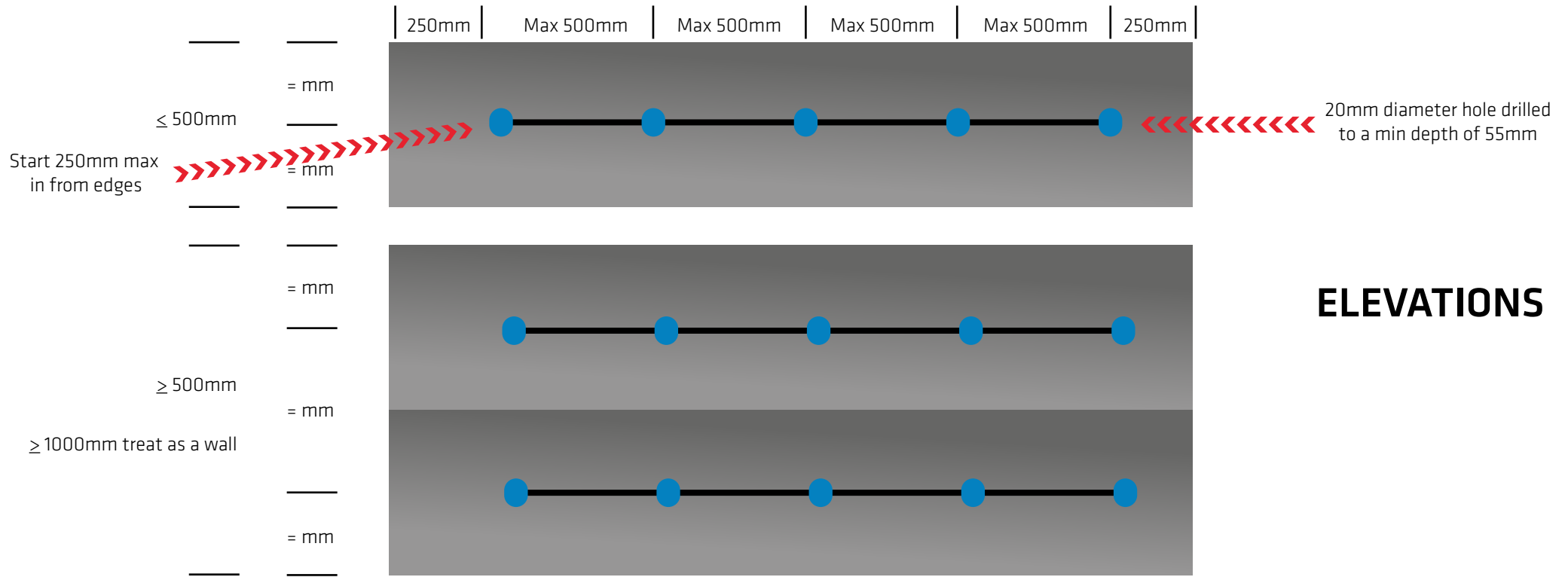
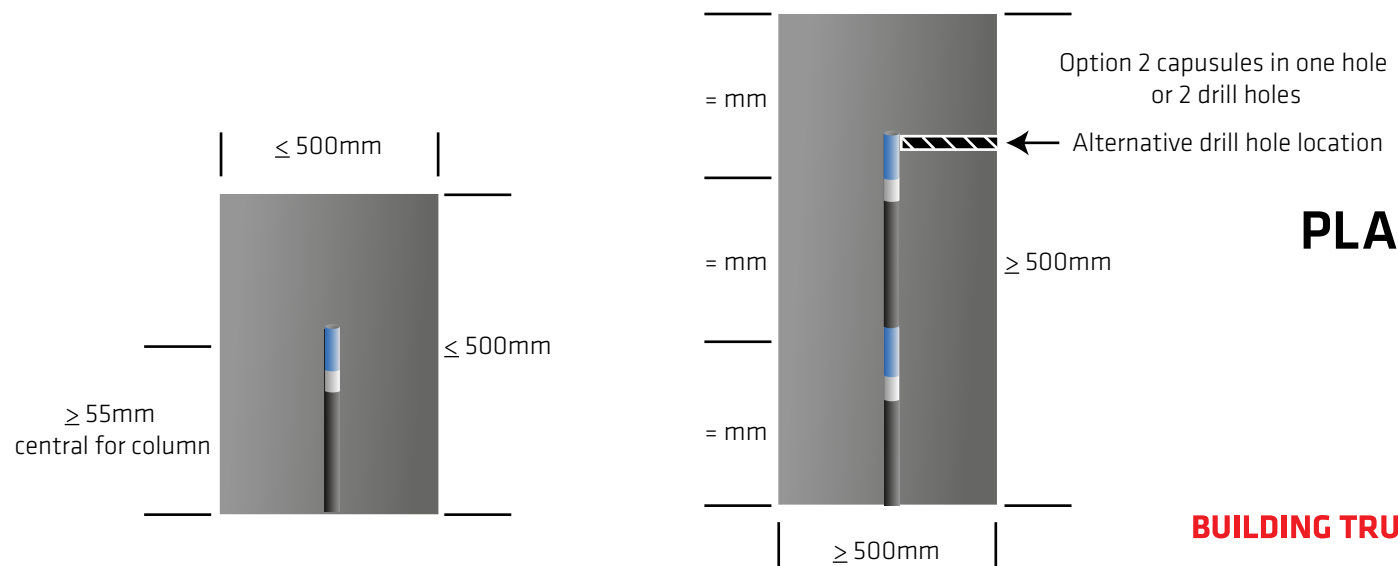


Sika® Margel VPI 580 - Capsule position for beams/columns



ELEVATIONS



PLAN