

Sarnafil® Constant Force Post

Fall Arrest Post

Product Description

The Sarnafil® Constant Force Post is a proprietary fall arrest system featuring an integral 4500J energy absorbing coil that, in the event of a fall, deploys in a controlled manner to absorb the force generated. This ensures that the load exerted on the point of attachment will not exceed 10 kN and allows the post to be used in a Sarnafil® system.

Uses

The Sarnafil® Constant Force Post can be used with the following roofing systems:

- Sarnafil® G 410, G 410 Felt, TG 76 adhered single ply membrane systems
- Sarnafil® S 327, TCS mechanically fastened single ply membrane systems
- Sarnafil® G 410, TCG loose laid membrane systems with ballast

Characteristics / Advantages

- Can be used on flat, low pitch & curved roofs
- Suitable for three users at any one time
- In the event of a fall, the posts deploy to absorb the energy and so leave the roof panel intact
- Integral energy absorber that limits loads to 10 kN in the event of a fall.
- Posts can be used in fall arrest and fall restraint systems.
- Compatible with Sarnafil® roofing systems
- Quick and easy to install
- Does not need to be attached to structural steel or purlins.
- Post design is smaller and more unobtrusive than most other brackets.
- The system blends with the overall building design and so maintains the architectural integrity.

Tests

Approvals / Standards

- Tested in accordance with BS EN795 in classes A2 & C
- Quality management system ISO 9001:2008 & ISO 14001:2004

Product Data

Form

Appearance

Surface: Smooth
Colour: Traffic Grey

Storage

Storage Conditions

The Sarnafil® Constant Force Post should be stored in dry conditions and protected from damage. Once correctly installed the Sarnafil® Constant Force Post becomes weatherproof.

Technical Data

Roofing



Materials

Base Plate:	Aluminium (Coated with PVC or PP)
Insulating Ring:	Glass Filled Nylon 66
Tube:	Aluminium (Coated with PVC or PP)
Dome:	316s Stainless Steel, Electro Polished
Internal assembly:	316s Stainless Steel
Nuts & Bolts:	Marine Grade A4 Stainless Steel
Insulating washers:	Nylon 66

Strength

- Initial yield force 2.7kN
 - Continuous deployment force typically 10kN
 - Ultimate strength after full deployment greater than 20k
-

System Information**System Structure**

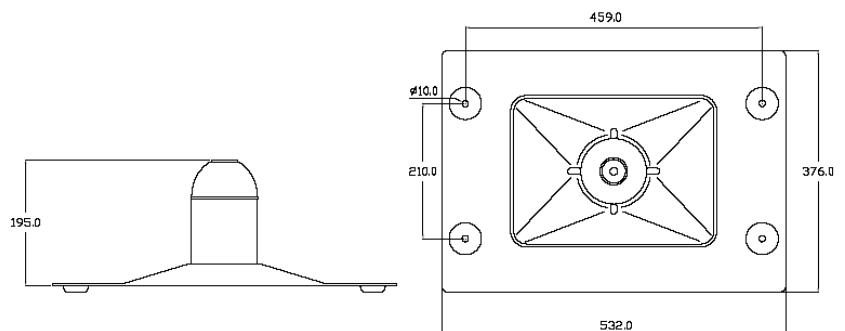
Compatible with Sarnafil® waterproofing membranes.

Application Conditions / Limits**Installation Instructions****Installation Method**

Installation method:
The Sarnafil® Constant Force Post is to be installed in accordance with the manufacturer's instructions.

Notes on Installation / Limits

Installation works to be carried out only by Latchways Registered Installers.



Value Base	All technical data stated in this Product Data Sheet are based on laboratory tests. Actual measured data may vary due to circumstances beyond our control.
Local Restrictions	Please note that as a result of specific local regulations the performance of this product may vary from country to country. Please consult the local Product Data Sheet for the exact description of the application fields.
Ecology, Health and Safety Information	The product does not fall within the EC-regulation of hazardous goods. As a result, a material safety data sheet following EC-Guideline 91/155 EWG is not needed to bring the product to the market, transport or use it. The product does not damage the environment when used as specified.
Protective Measures	Regulatory safety requirements must be observed.
Transportation Class	The product is not classified as hazardous good for transport.
Disposal	The material is recyclable. Any disposal must be according to regulatory requirements.
Legal Note	All data in our product information are based on our current knowledge and experience. They do not release users from careful testing of the application and strict observation of the relevant processing regulations because of the wide range of possible influences during the application and use of our products. Legally valid assurances of specific characteristics or suitability for special purposes of application other than those provided in our documentation for the specific product cannot be inferred from our information. Any protective rights or existing laws and provisions must be followed by the recipient or processor of our products at their own responsibility. Moreover our general terms and conditions of sale and guarantee are valid



SIKA LIMITED
 Head Office · Watchmead · Welwyn Garden City
 Hertfordshire · AL7 1BQ · United Kingdom
 Phone: +44 1 707 394444 · Fax: +44 1 707 329129 ·
www.sika.co.uk

