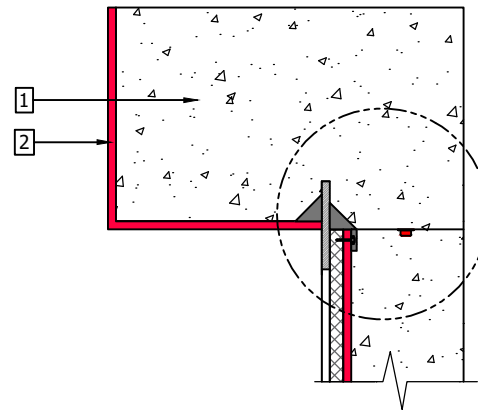
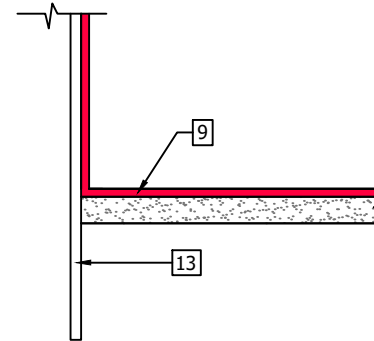


SECTION 1



SECTION 2



WALL TO SLAB SECTION

Drawing Reference:

KEY:

1. SIKA WATERTIGHT CONCRETE
2. SIKAPROOF A+08 MEMBRANE on suitable substrate
3. Sheet pile
4. Sacrificial formwork
5. Brace (if necessary)
6. SIKADUR COMBIFLEX ADHESIVE 40x40mm fillet
7. SIKASWELL A-2010 adhered with SIKASWELL S-2 (min.75mm Reinforced Concrete cover). Joint prepared and reinforced as per Sikaswell Method Statement
8. SIKADUR COMBIFLEX ADHESIVE 40x10mm onto SIKAPROOF A+ MEMBRANE plus fillet into Sheet Pile
9. SIKAPROOF A+MEMBRANE (tbc) cut to match profile of sheet pile wall
10. Clutches to be welded to avoid water by pass
11. Mechanical fixing
12. Clutches to be welded on back and top sides to avoid water bypass
13. Sheet pile wall

Revision	Description	By:	Aprvd By:	Date

ALL DETAIL DRAWINGS ARE FOR UK USE ONLY, DO NOT SCALE FROM DRAWING

THIS DRAWING IS THE CONFIDENTIAL PROPERTY OF SIKA LIMITED AND MUST NOT BE REPRODUCED EITHER WHOLLY OR PARTLY. ALL RIGHTS IN RESPECT OF PATENTS, DESIGN AND COPYRIGHTS ARE RESERVED. SIKA LTD. WWW.SIKA.CO.UK

	SIKA LIMITED Watchmead Welwyn Garden City Hertfordshire, AL7 1BQ		Tel: +44 (0) 1707 394 444 Web: http://gbr.sika.com Email: waterproofing.technical@uk.sika.com	
	Drawn by	Checked by	Approved by	Date

Description SIKAPROOF A+ & SIKA WATERTIGHT CONCRETE - SIKAPROOF A+ ON SHEET PILE (OPTION 3)			
Drawing No. SP+W18	Issue B	Sheet 1 / 1	