

6

5

4



3

2

1

D

D

C

C

B

B

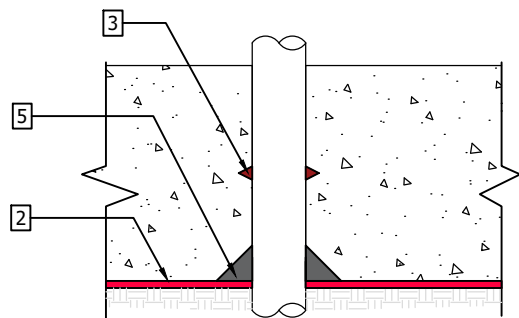
A

A

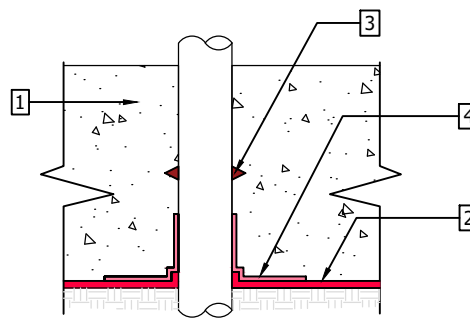
Drawing Reference:

KEY:

- 1. SIKAWATERTIGHT CONCRETE
- 2. SIKAPROOF A+08 MEMBRANE on suitable substrate
- 3. SIKASWELL S-2 BEAD (as per PDS) (min.75mm Reinforced Concrete cover)
- 4. SIKAPROOF TAPE A+N wrapped around pipe
- 5. SIKADUR COMBIFLEX ADHESIVE 40x40mm fillet



Steel & Clay Pipes



Smooth Plastic Pipes

Revision	Description	By:	Aprvd By:	Date

ALL DETAIL DRAWINGS ARE FOR UK USE ONLY, DO NOT SCALE FROM DRAWING

THIS DRAWING IS THE CONFIDENTIAL PROPERTY OF SIKA LIMITED AND MUST NOT BE REPRODUCED EITHER WHOLLY OR PARTLY. ALL RIGHTS IN RESPECT OF PATENTS, DESIGN AND COPYRIGHTS ARE RESERVED. SIKA LTD. WWW.SIKA.CO.UK



SIKA LIMITED

Watchmead
Welwyn Garden City
Hertfordshire, AL7 1BQ
Tel: +44 (0) 1707 394 444
Web: <http://gbr.sika.com>
Email: waterproofing.technical@uk.sika.com

Drawn by	Checked by	Approved by	Date
----------	------------	-------------	------

Description **SIKAPROOF A+ & SIKAWATERTIGHT CONCRETE - PIPE THROUGH RC SLAB**

Drawing No. SP+W10	Issue B	Sheet 1 / 1
-----------------------	------------	----------------

6

5

4



3

2

1