

Sarnafil® Solar Panel Support Anchor

Photovoltaic Panel Support Anchor

Product Description

The Sarnafil® Solar Panel Support Anchor is a proprietary attachment product for accommodating photovoltaic panels in Sarnafil® roofing systems.

Uses

The Sarnafil® Solar Panel Support Anchor can be used with the following roofing systems:

- Sarnafil® G 410, G 410 Felt, TG 76 adhered single ply membrane systems
- Sarnafil® S 327, TCS mechanically fastened single ply membrane systems
- Sarnafil® G 410, TCG loose laid membrane systems with ballast

Characteristics / Advantages

- Can be used on flat, low pitch & curved roofs
- Compatible with Sarnafil® roofing systems
- Quick and easy to install
- Does not need to be attached to structural steel or purlins.
- Post design is smaller and more unobtrusive than most other brackets.
- The system blends with the overall building design and so maintains the architectural integrity.

Tests

- Quality management system ISO 9001:2008 and ISO 14001:2004

Approvals / Standards

Product Data

Form

Appearance Surface: Smooth
 Colour: Traffic Grey

Storage

Storage Conditions

The Sarnafil® Solar Panel Support Anchor should be stored in dry conditions and protected from damage. Once correctly installed the Sarnafil® Solar Panel Support Anchor becomes weatherproof.

Technical Data

Materials

Base Plate:	Aluminium (Coated with PVC or PP)
Insulating Ring:	Glass Filled Nylon 66
Tube:	Aluminium (Coated with PVC or PP)
Dome:	316s Stainless Steel, Electro Polished
Internal assembly:	316s Stainless Steel
Nuts & Bolts:	Marine Grade A4 Stainless Steel
Insulating washers:	Nylon 66



Strength

- Tensile load per post 2.5kN
 - Compressive strength per post 2.5kN
-

System Information

System Structure Compatible with Sarnafil® waterproofing membranes.

Application Conditions / Limits

Installation Instructions

Installation Method

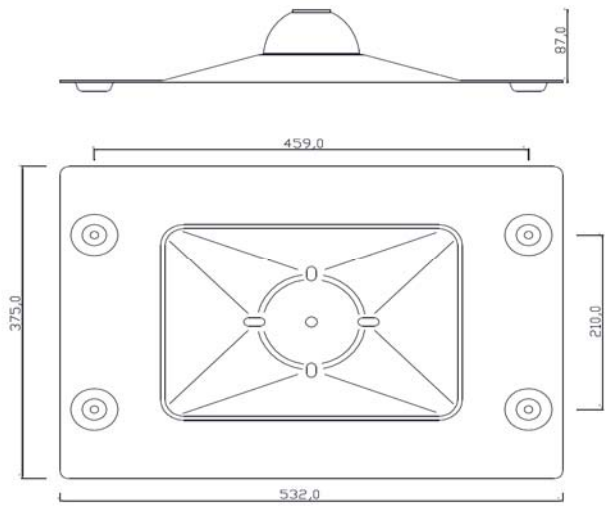
Installation method:
The Sarnafil® Solar Panel Support Anchor is to be installed in accordance with the manufacturer's instructions.

The number of Sarnafil® Solar Panel Support Anchors required for any installation will be determined by 2 factors, Firstly, determining the number of Sarnafil® Solar Panel Anchors required based on the wind load calculated for the panels in relation to the maximum tensile load per Sarnafil® Panel Support Anchor of 2.5kN, e.g. if the calculated up lift is 20kN, a minimum of 8 Sarnafil® Panel Support Anchors must be used to mount the solar panel framework. Secondly, determining the number of Sarnafil® Solar Panel Anchors required based on the total weight of the solar panels and framework in relation to the compressive strength per Sarnafil® Solar Panel Support Anchor of 2.5kN, e.g. if the framework and solar panels have a total weight 1000kg (therefore will apply a downward force of 10kN) then a minimum of 4 post must be used to mount the solar panels and framework.

If the above two calculations result in a different number of Sarnafil® Solar Panel Support Anchors being required the higher number should be used. It is the responsibility of the clients' structural engineer to undertake the necessary calculations to ensure the integrity of the overall construction for each installation including the required number of posts. The Sarnafil® Solar Panel Anchor is not suitable for the attachment of Personal Protection Equipment (PPE).

Notes on Installation / Limits

Installation of the Sarnafil® Solar Panel Support Anchor is to be carried out only by a Registered Sarnafil® Contractor or Latchways Registered Installer.



Dimensions

Base Plate:	375 x 532mm
Anchor Diameter:	95mm
Anchor Height:	87mm
Anchor thread:	m12

Roofing

Value Base	All technical data stated in this Product Data Sheet are based on laboratory tests. Actual measured data may vary due to circumstances beyond our control.
Local Restrictions	Please note that as a result of specific local regulations the performance of this product may vary from country to country. Please consult the local Product Data Sheet for the exact description of the application fields.
Ecology, Health and Safety Information	The product does not fall within the EC-regulation of hazardous goods. As a result, a material safety data sheet following EC-Guideline 91/155 EWG is not needed to bring the product to the market, transport or use it. The product does not damage the environment when used as specified.
Protective Measures	Regulatory safety requirements must be observed.
Transportation Class	The product is not classified as hazardous good for transport.
Disposal	The material is recyclable. Any disposal must be according to regulatory requirements.

All data in our product information are based on our current knowledge and experience. They do not release users from careful testing of the application and strict observation of the relevant processing regulations because of the wide range of possible influences during the application and use of our products. Legally valid assurances of specific characteristics or suitability for special purposes of application other than those provided in our documentation for the specific product cannot be inferred from our information. Any protective rights or existing laws and provisions must be followed by the recipient or processor of our products at their own responsibility. Moreover our general terms and conditions of sale and guarantee are valid.



Sika Ltd, Bankside 300, Peachman Way, Broadland Business Park,
Norwich, NR7 0WF.

Tel: 01603 709360 Fax: 01603 433436 Email: sarnafilroofing@uk.sika.com

Registered Office: Sika Ltd, Watchmead, Welwyn Garden City, Hertfordshire, AL7 1BQ
Registered in England: 226822



Sarnafil®